

I|S|C



climb. work. rescue.

2020 Search & Rescue (SAR) Range

RESCUE KITS

Whenever fall arrest systems are used and a fall hazard exists, it is necessary to plan in advance for the effective rescue of persons who have experienced a fall event.

ISC Rescue kits provide a series of pre-rigged 'off the shelf' solutions, to suit a range of raise/lower pick-off, Confined Space, horizontal hauls and short lift-long lower rescues.

Kits are available with built-in progress capture or using a RAD (Rope Adjuster Device) mounted on the rescuer's harness. This method of progress capture allows the rescuer to use their own bodyweight to aid in hauling.

Rescue kits are available with a 15m Height of Lift (HOL), but other HOL lengths are available on request.

RK010A-015 Basic Rescue Kit

WLL 200kg (440lb)

A simple pre-rigged 3:1 mechanical advantage system (including a rescue pole) which can be easily deployed to raise or lower a casualty over short distances. A RAD (Rope Adjustment Device) is also included for progress capture and controlled lowering.

Standard 15m HOL Kit components include:

- RP061 Small Double Prussik Pulley [1]
- RP062 Small Single Prussik Pulley, with Becket [1]
- RP815 RAD [1]
- KH204SS HMS Karabiners [3]
- 11mm LSK Rope [60m]
- Webbing anchor sling [1]
- Lightweight rescue pole & rope bag



RK020A-015 Intermediate Rescue Kit

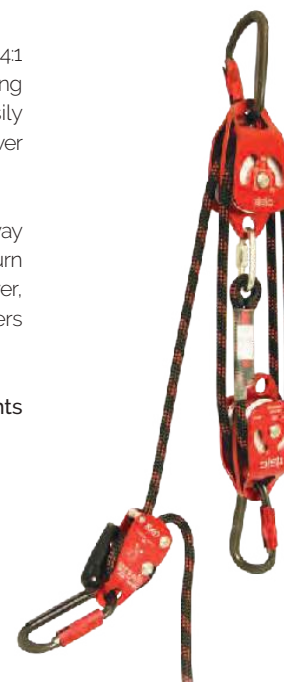
WLL 200kg (440lb)

A simple but heavy-duty pre-rigged 4:1 mechanical advantage system (including a rescue pole), which can be easily deployed to raise or lower a casualty over short distances.

The master pulley is fitted with one-way locking bearings. One-way bearings turn during the lift but lock during the lower, which increases the friction and offers greater control during the lower.

Standard 15m HOL kit components include:

- KH204SS Karabiner [3]
- RP701 [1] & RP700 [1]
- 11mm LSK Rope [75m]
- Webbing Anchor Sling
- Lightweight rescue pole & rope bag



Optional Accessories:

RP209N Rescue Ropegrab Pip-pin

Weight 180g (6oz)

Rope Ø 10.5-13mm (1/2")

RP210/220 Professional Hand Ascender

Weight 364g (13oz)

Rope Ø 9-13mm (5/16-1/2")

RP016A Heavy Duty Rescue Pole

Max. Length 390cm (12'8")

Compatible SH979 Snaphook



RK030A-015 Intermediate Rescue Plus Kit

WLL 300kg (661lb)

A simple but heavy duty pre-rigged 4:1 mechanical advantage system (including a rescue pole), which can easily be deployed to raise or lower a casualty over short distances.

The master pulley (RP705) has one-way bearings incorporated which offers greater control during the lower plus a progress capture cam, which is engaged on the rope to automatically capture progress during the lift.

Standard 15m HOL kit components include:

RP705 Progress Capture Pulley [1]
RP701 Rescue Pulley [1]
KH204SS Karabiners [2]
11mm LSK Rope [75m]
Webbing Anchor Sling
Lightweight rescue pole & rope bag



RK040A-015 Short Lift, Long Lower (SLLL) Kit

WLL 140kg (308lb)

The SLLL Kit is a lightweight, quick-deploying rescue kit for any lower-off rescue. The SLLL kit is the ideal kit for longer lowers as it uses the HaulerBiner Compact Rescue Kit independently, for mechanical advantage. This means that less rope is required over any given Height of Lift (HOL), compared with traditional pulley systems – (effectively 2 x HOL). The advantages of this are:

Compact & lightweight to carry
Less risk of rope entanglement
Quicker & easier to repack

The HaulerBiner with its 6:1 mechanical advantage and its progress capture cam, allows the rescuer to easily raise the casualty to disconnect them from their fall arrest or working line and then transfer their weight to the D4 Work/Rescue Descender, ready to lower the casualty. The D4 offers superb control during the lower and has a in-built double-stop function in case the rescuer panics or lets go of the handle.

Kit components include:

HB165 1.65m HaulerBiner
RP880 D4 Work/Rescue Descender
KH204SS Karabiner [1]
11mm LSK Rope (15m or 30m HOL options, as standard)
Webbing Anchor Sling
Lightweight rescue pole & rope bag

Applications:

Short-lift, long lower rescue situations–single person rescue load.



RK050A-015 R-ALF Kit

WLL 250kg (550lb)

The R-ALF kit is a 5:1 mechanical advantage system where the master pulley (the R-ALF) has a built-in overspeed brake which, should the rescuer lose control of the rope, will automatically engage to stop the freefall within a very short distance. This means it is the easiest and safest device to use for lifting and lowering of people.

Suitable for heavy loads up to 250kg (550lb), R-ALF is perfect for a wide range of uses including 2 person assisted stretcher rescues, bariatric rescue, work suspension on structures for cleaning or inspections and confined space working. R-ALF is also a superb multi-function device for confined spaces as it can be used in the vertical for lifting/lowering as well as in the horizontal for dragging. R-ALF can be used either by the operator themselves for work positioning in tanks, as an access device in sewers and manholes or by a rescuer either in the confined space or at the top anchor (a tripod for example).

Standard 15m HOL Kit includes:

RP431 RALF Pulley [1]
RP064 Double Pulley [2]
KH221SS Karabiner [2]
11mm LSK Rope [90m]
Webbing Anchor Sling
Rope bag
Optional Heavy-duty Rescue Pole

Applications:

Pick-off Rescue, Short Lift-Long Lower Rescue, Raise Rescue, Confined Space Raise/Lower Rescue, Horizontal Hauls and 2-Person Assisted Rescue.



PROGRESS CAPTURE PULLEYS

ISC Progress Capture Pulleys (PCP) feature a lightweight centre plate, optimally positioned wheel (to reduce rope friction) and a rated Becket, through which even an ANSI Karabiner can be fully rotated. All PCPs are fitted with **tamper-proof rivets** and are individually serial numbered. The cam-faces utilise cones, (rather than spiked), to minimise rope wear.

Features & Applications

Progress Capture Pulleys incorporate a **cam** which automatically captures the load whilst lifting/pulling a load or tensioning a line. To **lower/release** the line the cam must be manually unclamped by using the flexible Dyneema release cord and held/pinned clear of the rope during the lower/release of the line.

One-way Locking Bearings

To assist in **controlling lowering/releasing** of loads, the one way bearings do not turn while the load is released/lowered, thereby increasing friction and acting as a **static bollard** giving the operator much more control. **Progress Capture Pulleys** can be used in all sorts of applications, such as hauling, tensioning and work positioning of heavy loads, including **bariatric work**.



RP701 Double Rescue Pulley (Standard)

Weight 660g (23oz)

MBS 40kN (8992lbf)

RP700 Double Rescue Pulley (One-way Bearings)

Weight 649g (23oz)

MBS 30kN (6744lbf)

RP702 Single Progress Capture Pulleys (Standard)

Weight 663g (23oz)

MBS 40kN (8992lbf)

RP704 Single Progress Capture Pulleys (One-way Bearings)

Weight 655g (23oz)

MBS 30kN (6744lbf)



RP703 Double Progress Capture Pulleys (Standard)

Weight 910g (32oz)

MBS 40kN (8992lbf)

RP705 Double Progress Capture Pulleys (One-way Bearings)

Weight 895g (32oz)

MBS 30kN (6744lbf)

Rope Ø 10mm - 13mm (max 1/2")



WIRE SLINGS

ISC Wire Slings are available with 7mm Galvanised Steel or Stainless Steel wire and with a choice of thimble (rigid) eye, or soft eye loops. ISC Slings are fitted with a protective PVC cover. Slings are available in a range of standard lengths (at 0.5m increments), with bespoke lengths also available on request.



Stainless Steel version now available

WSXXX Wire Rope Slings - EN795 2012 & PD/CENTS

WS100	100cm (39")	502g (18oz)	25kN (5620lbf)
WS150	150cm (59")	780g (28oz)	25kN (5620lbf)
WS200	200cm (78")	998g (35oz)	25kN (5620lbf)

KARABINERS

ISC Performance Karabiners are Forged for best build quality and feature a unique 'Blind' nose, which improves performance by reducing snagging. The Barrels have been designed with a square cut notch to limit debris build up. ISC Aluminium Karabiners are of sleek ergonomic design, with a high strength to weight ratio.

ISC Karabiners conform to the EN362:2004 connectors directive.



KH204 HMS

Weight 98g (3.5oz)
Gate Opening 19mm (3/4")
MBS 27kN (6070lbf)
Height 124mm (4 7/8")
Width 78mm (3 1/3")



KH221 Oval

Weight 86g (3oz)
Gate Opening 19mm (3/4")
MBS 25kN (5620lbf)
Height 111mm (4 3/8")
Width 67mm (3")



KH218 Aluminium Wizard

Weight 113g (4oz)
Gate Opening 29mm (1 1/8")
MBS 40kN (8992lbf)
Height 128mm (5")
Width 73mm (2 7/8")



KH212 HMS

Weight 276g (9.7oz)
Gate Opening 23mm (7/8")
MBS 50kN (11240lbf)
Height 127mm (5")
Width 80mm (3 1/8")



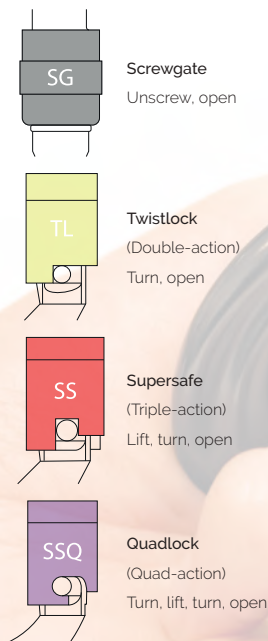
KL321 Offset Oval

Weight 193g (6.8oz)
Gate Opening 17mm (5/8")
MBS 40kN (8992lbf)
Height 109mm (4 1/4")
Width 62mm (2 1/4")



KH219 Iron Wizard (S)

Weight 264g (9.3oz)
Gate Opening 28mm (1 1/8")
MBS 70kN (15736lbf)
Height 125mm (4 7/8")
Width 72mm (2 7/8")



HALO RIGGING PLATES

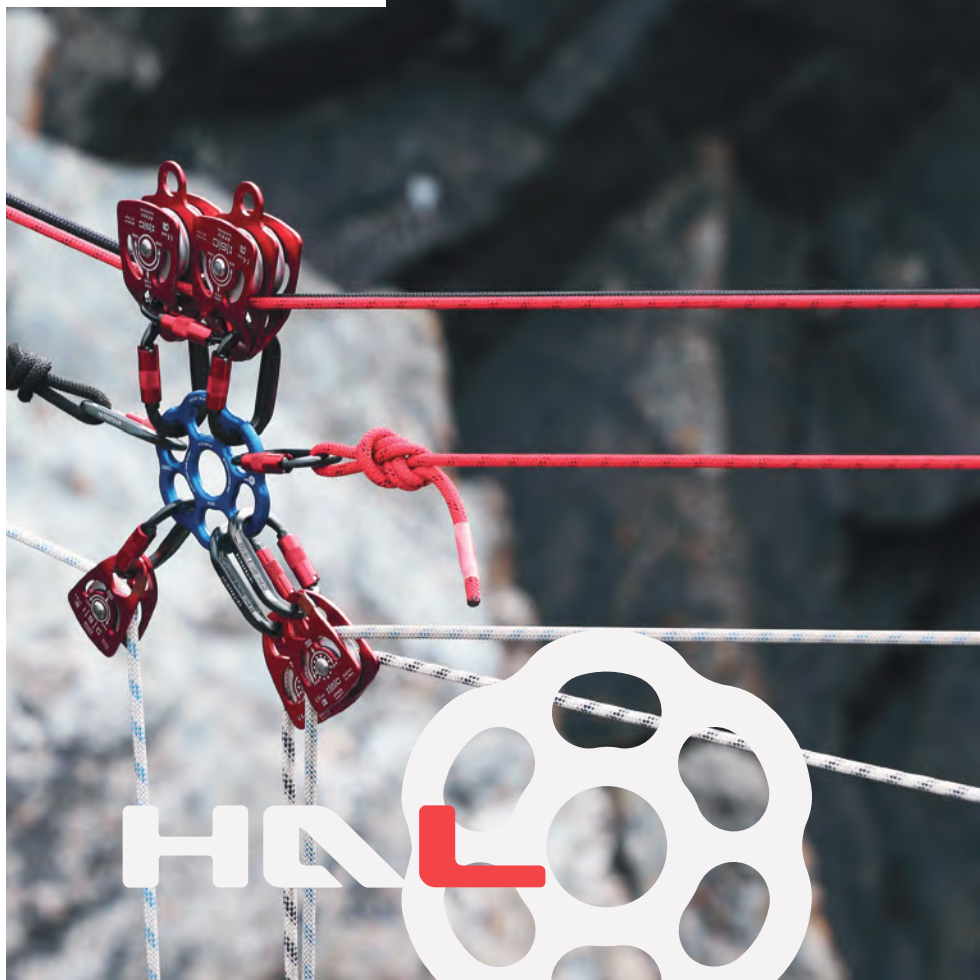
Balancing loads is made easier due to the completely symmetrical shape of HALO Plates, hence they are capable of handling a variety of rigging applications.

HALO Rigging Plates form part of a compatible system and were developed to match the ratings on our Karabiners and Prussik pulleys, at 40kN (8992lbf), 50kN (11,240lbf) and 70kN (15,736lbf).

If compatible components are used in a system it takes away some of the guesswork involved with deciding which is the 'weak link'.

Each plate is manufactured from aerospace grade Aluminium and feature uniquely shaped apertures which allow for loading with multiple Karabiners simultaneously. CNC machined radiused edges make the apertures rope and webbing friendly.

ISC Rigging Plates are made from high strength Aluminium and have 20mm (over 3/4") holes, to allow Karabiners to be fully rotated.



RP302 HALO Rigging Plate Small

MBS 40kN (8992lb)
Width 115mm (4 1/2")
Colour Red

RP303 HALO Rigging Plate Medium

MBS 50kN (11240lb)
Width 144mm (5 10/16")
Colour Blue

RP304 HALO Rigging Plate Large

MBS 70kN (15736lb)
Width 165mm (6 1/2")
Colour Yellow



RESQ STRETCHER

The ISC **Rescue Stretcher** is a lightweight roll-up stretcher, made from a robust low density Polyethylene. The **stretcher** body is smooth and durable, allowing it to slide freely over a wide range of surfaces, but remain flexible enough to secure closely around the casualty for **protection**.

All models are suitable for **horizontal** or **vertical** use, a pair of **HaulerBiners** can be used to allow the operator to transition from **horizontal** to **vertical** or vice versa, quickly and easily, using the **6:1 Mechanical Advantage** and progress capture.

Stretchers are available with basic adjuster buckle strap (ideal for work in particularly dirty environments such as cave rescue), or **Klick-Lock** buckles, which allow for very fast casualty packaging and swift adjustments.



STR001 ResQ Stretcher

No webbing underneath the stretcher, reduces wear and snagging.

All webbing is user replaceable and washable.

Removable handles for up to 6 rescuers.

Colour-coded webbing for quick, intuitive packaging of the casualty. Adjustable foot straps for casualty security.

Can be used with ISC back protector. Interchangeable Buckles.



TRIPOD & ACCESSORIES

The ISC **rescue-rated tripod** is a high performance, highly robust **tripod** designed for the harshest working environments. Its key feature is the **WLL** of 350kg (based on a safety factor of 10:1), allowing it to be safely used for rescue purposes (two-person loads).

Tripod Heads are manufactured from Cast Aluminium for strength and durability. The standard version (TP143) is fitted with two pulley wheels, with removable captive pins to keep the rope/wire line in place on the pulley wheel. The standard Tripod also has two swivel-eye anchor points. The **Tripod legs** are adjusted with Pip-pins, up to a maximum overall height of 255cm (approximately 100"). ISC **Tripods** are ideal for work and rescue in confined spaces.

Extensive testing of our **Tripods** without a foot retention strap has confirmed that our **Tripods** meet/exceed the strength requirements of the standard, without the need to tether the feet. Our **Tripod** can therefore be supplied and used without a foot retention strap, meaning that the trip hazard around the **Tripod** is greatly reduced.

TP143 Tripod

- Weight** 22kg (49lb)
- WLL** 350kg (771lb)
- Min Height** 178cm (5'8")
- Max Height** 255cm (9ft)
- Stored Length** 186cm (10'1")



RW020 Winch

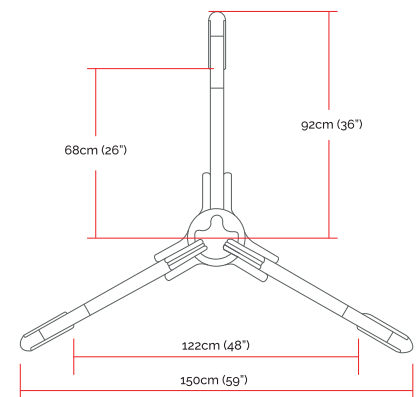
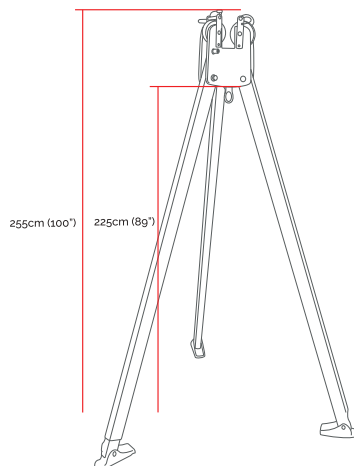
The **Rescue Winch** is designed for use in lifting & lowering applications. The **RW020 Rescue Winch** has a working length of 20m (65ft) and should always be used with a secondary back-up system.

The **Rescue Winch** is fitted with a Steel Swivel eye, double action Snaphook as standard. We manufacture a range of Tripod attachment brackets.

GRB150S2 Attachment Bracket

A hard wearing **Tripod Bracket**, for use with the ISC Tripod, UB171 Fall Arrest Block or Winch system. The **GRB150** anti-slip bracket is quick and easy to fit, with a hinged lid and screw design.

We manufacture **brackets** to fit a range of **Tripods** - please contact our Customer Service Team for further information.



EDGE MANAGEMENT

The **Arachnipod Modular Total Edge Management System** is an innovative design that captures multi-functional capabilities. Simplicity and robust engineering provide the world's most versatile modular, total edge management system. Components can be added or removed to achieve any of the 8 possible configurations.

The **Arachnipod**, in its basic form, is a **Tripod**. It consists of three basic telescoping legs, each pivotally connected to an **Anodised Head**. The Head is produced from aluminium extrusion with cutouts down each side. These cutouts allow two or more heads to connect together with a **Quick-link Pin** (similar to a hinge), which allows quick and simple addition or removal of legs, or bridge beam, to create different configurations.

Each head has a **D shaped shackle** for guying to stabilise the structure. The **pulley leg** has an inbuilt Pulley, which is mounted on two **Stainless Steel Roller Bearings**. The Pulley is **Stainless Steel** and has two grooves - one to take up to 13mm (1/2") rope and another to take up to 8mm (5/16") wire cable. **Stainless detent pins** prevent the rope or wire from coming out of the grooves.



Lazy-leg A-Frame



Bridge

The Arachnipod has an innovative design and multi-functional capabilities. Components can be added or removed, in order to build any of the eight possible configurations: Monopole, handrail recovery, Standard A-Frame, Transverse A-Frame, Lazy Leg A-Frame, Tripod, Quadpod or Bridge System.



Handrail Recovery



Side A-Frame

Accessories

- Accessory Bag
- Spike Feet
- Gin Head
- Soft Ground Shoes
- M12 Tru-bolts/Masonry Drill Bit
- Spare Qik-link Head Pins/Detent Pins/Leg Pin with Detent Pin
- Steps
- Equipment Bracket
- Rigging Plate
- Quad Plate

Arachnipod

D-SERIES DESCENDERS

D-Series Descenders are double-stop devices with an auto-lock function (which is activated whenever the operator lets go of the handle) and a panic brake which is not overly sensitive in normal use. The **D4PRO** & **D5PRO** are the same great Work/Rescue Descenders, but without the panic brake.

D-Series cams are made from a super hard, solid Stainless Steel which is highly wear and corrosion resistant. The **D4** & **D5** models are compliant with CE Standards, NFPA T and ANSI Z359.4 for the worldwide Rope Access and Rescue markets which typically use 10.5mm/11.5mm & 12.7mm ropes.

D-Series Descenders feature a unique and innovative progressive cam action, which offers control at slow or fast speeds. The progressive cam works by way of one cam operating inside another cam.

As the '**PRO**' models do not incorporate a **panic-brake**, it is not possible for the devices to fully meet the criteria of ANSI Standards. The **D4PRO** is fully certified to EN12841 (a panic brake is not a compulsory criteria of this standard).

If you require a **Descender** which fully meets ANSI Standard, please see **RP880/ RP885 D4** or **D5** models.

Patented GB2522179



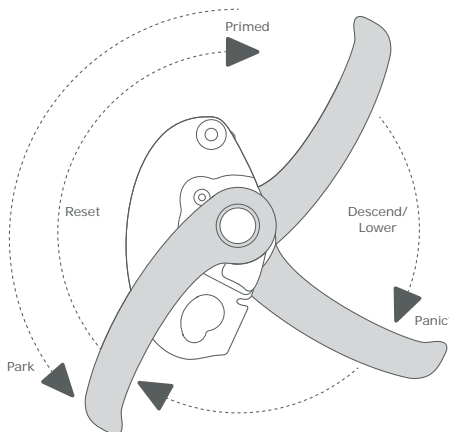
RP880 D4 Work/Rescue Descender

No. of Persons 2
Rope Diameter Range 10.5mm - 11.5mm (7/16")
WLL 240kg (529lb)
Panic Brake Yes



RP881 D4 PRO Descender

No. of Persons 2
Rope Diameter Range 10.5mm - 11.5mm (7/16")
WLL 240kg (529lb)
Panic Brake No



RP885 D5 Work/Rescue Descender

No. of Persons 2
Rope Diameter Range 12.7mm (1/2")
WLL 240kg (529lb)
Panic Brake Yes



RP886 D5 PRO Descender

No. of Persons 2
Rope Diameter Range 12.7mm (1/2")
WLL 240kg (529lb)
Panic Brake No

*Panic brake only for standard models

DESCENDERS (CONTINUED)

The **D2 Personal Escape Kit** is a compact escape kit which is designed as a personal-issue kit, allowing users to evacuate/ self-rescue. The D2 Kit is supplied pre-roped with highly heat resistant 8mm (5/16") Technora Aramid rope and anchor sling. **Technora** has an exceptionally high melting point (500°C / 932°F), compared with that of standard Polyester ropes (c.200°C / 392°F). The Aramid material also provides increased abrasion resistance.

With a maximum descent height of 200m (656ft), the **D2 Kit** is ideal for use by a wide range of industry users, including Wind Turbine Technicians and Firefighters, as a bail-out device. The **D2 Descender** is an innovative 'double-stop' Descender, which will automatically stop, should the user let go of the handle, or panic and pull the handle too far. Accompanied by a **HaulerBiner Compact Rescue Kit**, the **D2** can also be used as a Short Lift, Long Lower (SLLL) Kit.

The new **D2 Descender** features an ergonomically improved, longer handle and new handle orientation, to offer improved control and reduce user fatigue.

The **A-B Descender** is a "squeeze style" device, designed for use in Technical Rope Access, Intervention/Special Forces and is rated for two-person loads.

The **A-B Descender** is fitted with an extended, spring loaded flip down handle which gives extra leverage when a fine degree of descent control is required. The flip down handle is of particular use for extra control of a two-person rescue load.



KT861.2 D2 Personal Escape Kit

Working load 40 - 140kg (88-308lb)

MBS 14kN (3147lbf)

Rope 8mm (5/16") Ø Technora



RP810 A-B Descender

No. of Persons 2

Rope Diameter Range 10.5mm - 12.5mm
(7/16 - 1/2")

Panic Brake Yes



KT815 Rope Adjustment Device (RAD)

Rope Diameter Range 10.5mm - 12.7mm
(7/16 - 1/2")

WLL 400kg (440lb)

HAULERBINER

The HaulerBiner™ Compact Rescue Kit is a lightweight, compact and simple to use/deploy device. The HaulerBiner is fully rated for lifting people.

The HaulerBiner has three pulley wheels incorporated into each Karabiner, creating a compact and lightweight 6:1 or 7:1 (theoretical) Mechanical Advantage system. The HaulerBiner also has a purpose-designed progress capture cam with, an 'on/off' position. The HaulerBiner utilises purpose-developed 6mm (1/4") rope, for strength and easy handling/best grip. The kit is supplied in a two-pouch bag, for easy deployment.

The HaulerBiner is load rated to 140kg (310lb) but it has an MBS of at least 16kN/3500lb tested as a complete system. Kits are available in three standard lengths; 105cm (3'5"), 165cm (5'10") or 300cm (5'5"), with custom lengths available on request. The length of the system, when fully contracted is only 32cm (12")!



HBXXX HaulerBiner

Working Load Limit 140kg (310lb)

MBS 16kN (3596lbf)

Gate Supersafe

HB105 105cm (3'5") Kit

HB165 165cm (5'5") Kit

HB300 300cm (9'10") Kit

The HaulerBiner can be used:

- As part of a pick-off system
- On a structure, pull down on the system and achieve a 6:1 (theoretical) Mechanical Advantage
- When suspended in a harness, the user can pull up on the system and achieve 7:1 (theoretical) Mechanical Advantage
- With a D4/D2 Descender, as part of a short-haul/long-lower system
- As a tensioning system for short/low load lines



CHEST ASCENDER

The ISC Chest Ascender is compact & lightweight and has been designed for use on a full body harness, and therefore it is ideal for use in Rope Access work.



RP229 Chest Ascender

Rope Diameter Range 9mm - 13mm
(5/16" - 1/2")

Cam Stainless Steel

HAND ASCENDERS

ISC Hand Ascenders are sleek & ergonomic by design. They are machined from high-strength Aluminium extrusion and are suitable for heavy-duty use.

ISC Hand Ascenders are fitted with Stainless Steel cams. All ISC Hand Ascenders have both primary and secondary attachment holes.

ISC Ultrasafe Hand Ascenders are fitted with a pin to limit the range movement of the cam in order to prevent the rope from being accidentally pulled out between the cam and the body. ISC Professional and Ultrasafe Hand Ascenders have moulded comfort-grip handles.

Professional

RP210 Hand Ascender Left

Rope Diameter Range 9mm - 13mm
(5/16" - 1/2")

Captive Pin No
Handle Red

RP220 Hand Ascender Right

Rope Diameter Range 9mm - 13mm
(5/16" - 1/2")

Captive Pin No
Handle Green



Ultrasafe

RP230 Ultrasafe Hand Ascender Left

Rope Diameter Range 9mm - 13mm
(5/16" - 1/2")

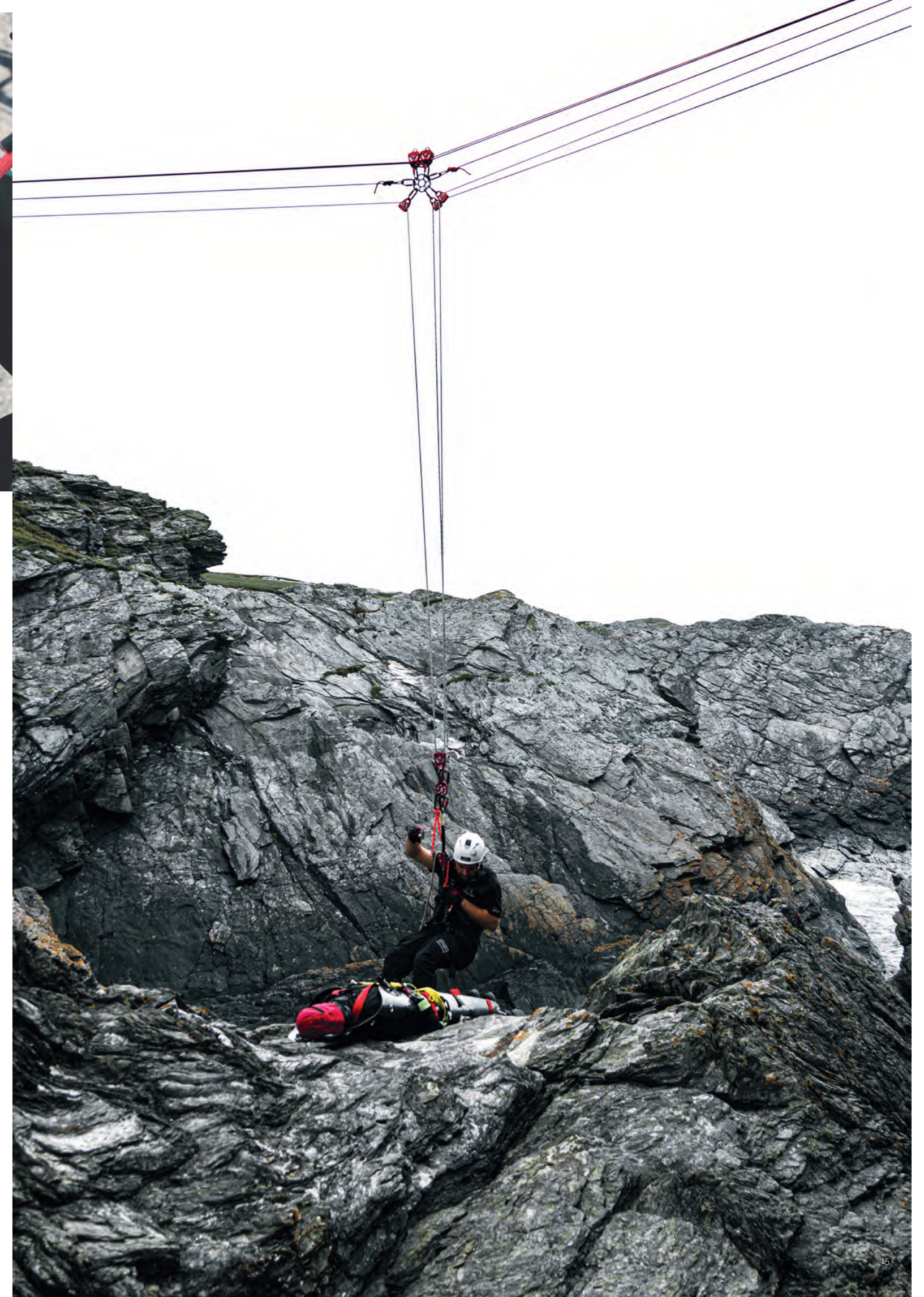
Captive Pin Yes
Handle Red

RP240 Ultrasafe Hand Ascender Right

Rope Diameter Range 9mm - 13mm
(5/16" - 1/2")

Captive Pin Yes
Handle Green







International Safety Components Ltd.

Unit 1, Plot 2
Llandygai Industrial Estate
Bangor
Gwynedd
LL57 4YH
United Kingdom

+44 (0) 1248 363 110

sales@iscwales.com
www.iscwales.com



Stay up to date with ISC e-mail alerts!

Scan the QR Code with your Smartphone to register for ISC e-mail Alerts. We will email you from time to time with news of new products, product updates and other news features which are relevant to your chosen industry.