

Tripod Systems

Following the re-testing of our Tripods, we are pleased to announce the following upgrades to our range:

Product Update TPxxx Tripods



Removal of Webbing Restraint Strap

Foot restraint straps have long been a cause for concern in risk assessments because of the potential trip hazard. We recently requested that our UK Notified Body retest our tripods, to confirm their strength and suitability without the webbing restraint strap. The testing found that the strap makes no difference to the performance of the tripod. In future therefore we will not supply the tripod with the restraint strap as standard.



New Markings Plate

All ISC Tripods are now fitted with a durable Anodised Aluminium Markings Plate. The markings include a QR Code, which can be scanned (using a Smartphone*) in order to access an electronic User Instruction Manual. All Tripods are individually serial marked as follows:

YY/BBBBB/XX

- Y= Year
- B= Batch
- X= Unique reference number

*(App download required)

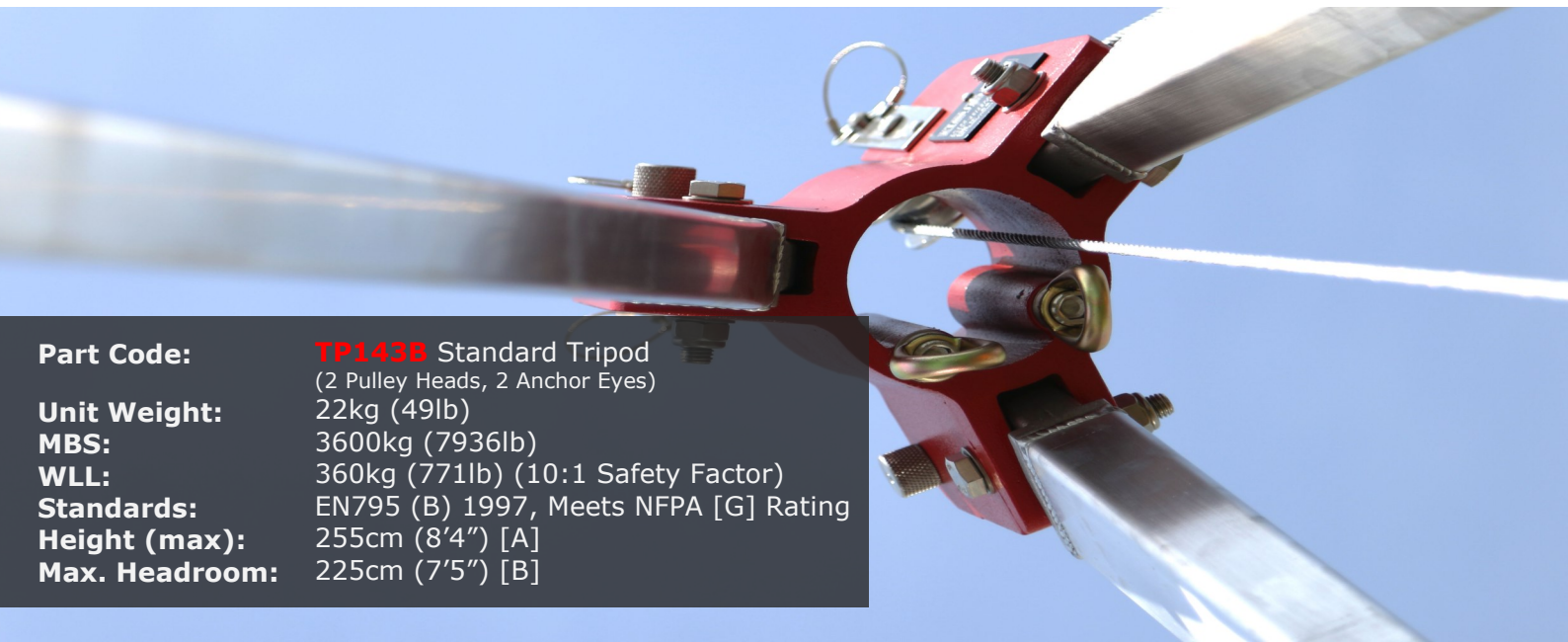


New Max Extension Indicator & Leg Holes

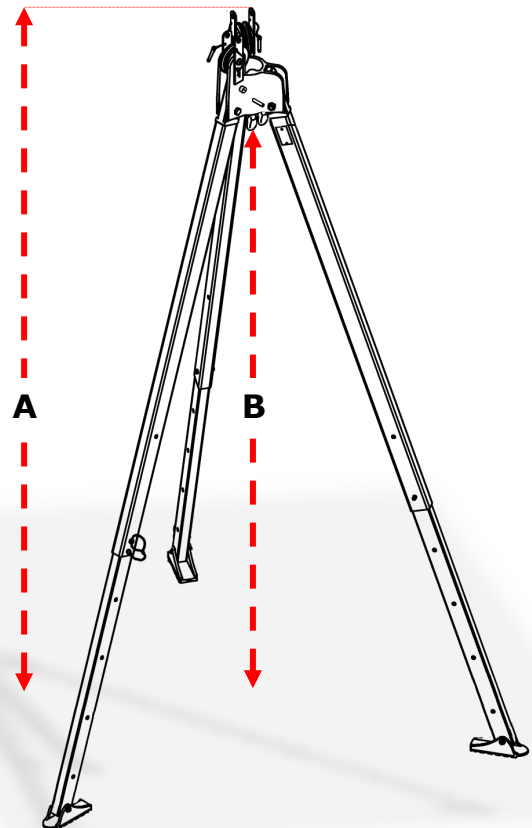
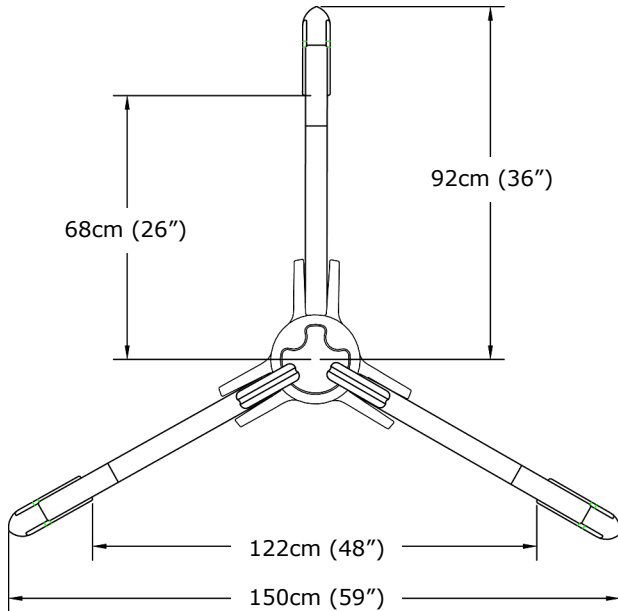
Each Tripod is now fitted with a durable label on the outer face of each leg, to alert the user when they have extended the leg beyond the maximum extension setting. When the STOP label is exposed, the user should lower the leg setting to the next available hole setting, ensuring that the STOP label is not visible.

The Tripod leg hole spacing and telescopic hole alignment has also been changed, making the Tripod compatible with a range of two-pin Accessory Brackets, which can now be mounted in numerous positions on the leg.

The WLL of our Tripods has increased from 3500kg MBS (350kg WLL) to 3600kg MBS (360kg WLL), [10:1 Safety Factor]. Tripods now meet the requirements of NFPA [G], in addition to being approved to EN795 Type B, 1997.



Part Code: **TP143B** Standard Tripod
(2 Pulley Heads, 2 Anchor Eyes)
Unit Weight: 22kg (49lb)
MBS: 3600kg (7936lb)
WLL: 360kg (771lb) (10:1 Safety Factor)
Standards: EN795 (B) 1997, Meets NFPA [G] Rating
Height (max): 255cm (8'4") [A]
Max. Headroom: 225cm (7'5") [B]



For further information, please contact us:

+44 (0) 1248 363 110

sales@iscwales.com

www.iscwales.com

climb. work. rescue.