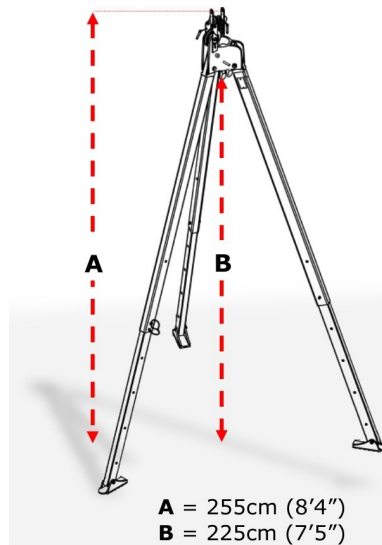
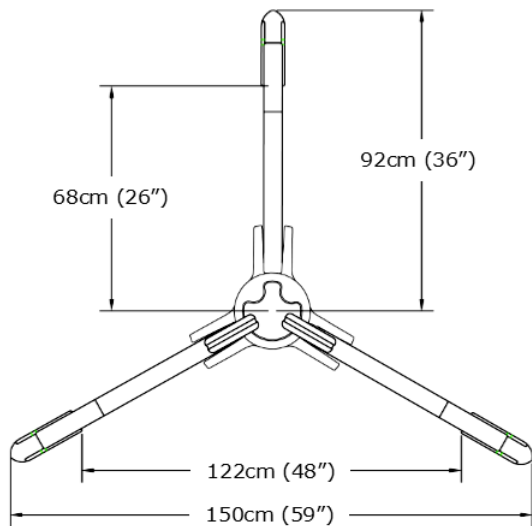


TP143B Standard Tripod

Data Sheet



Footstrap NOT required
(Certified for use without footstrap)



Our standard Tripod (TP143B) is fitted with two Pulley Wheels and Two Eyebolt Anchors.

Our Tripods have an MBS rating of 3600kg (7936lb), giving a WLL of 360kg (771lb) at a 10:1 Safety Factor. This allows the devices to meet the requirements of NFPA [G] Rating, in addition to being certified to EN795 Type B, 1997.

ISC Tripods have been tested and certified for use WITHOUT a Foot Restraint Strap, vastly reducing the risk of users tripping.

The TP143 Tripod can be used with a Retrieval Fall Arrest Block and/or RW020 Winch; which can be attached to the Tripod leg, using a GRB150S2 Bracket.

Weight	22kg (49lbs)
MBS	3600kg
WLL	360kg (794lb) at 10:1 Safety Factor
Standards	EN795 B 1997, Meets NFPA [G] Rating
Height (Maximum)	255cm (8'4") [A]
Headroom Height	225cm (7'5") [B]
Length of Tripod collapsed	190cm (74 3/4")