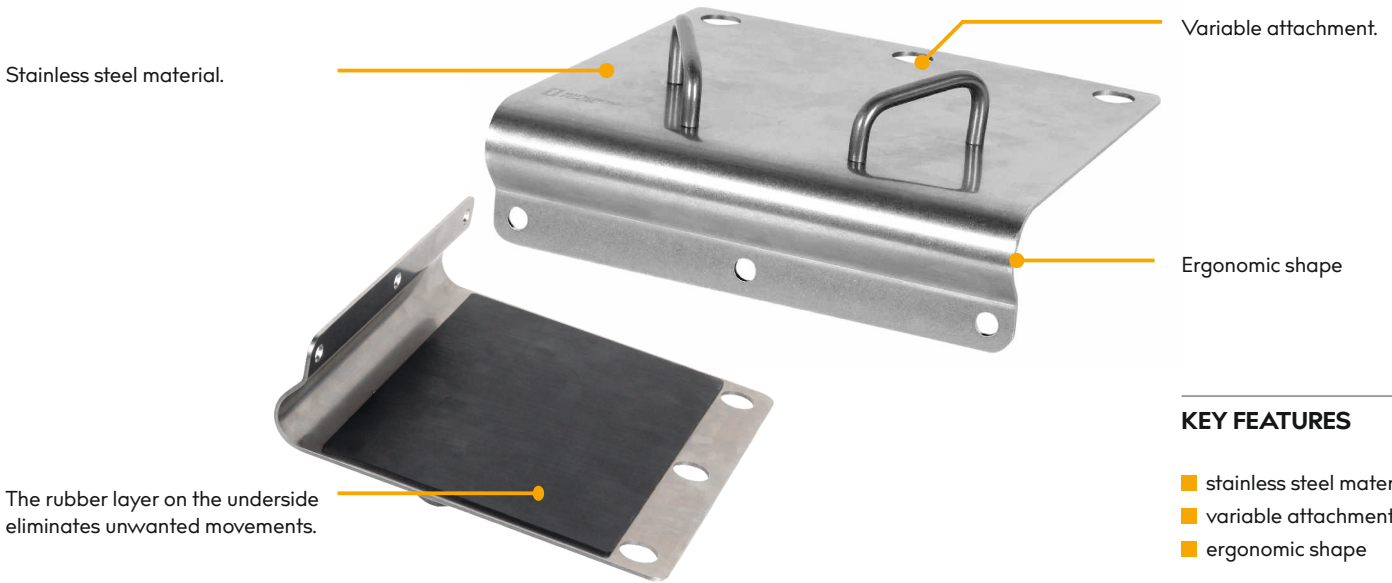




Very stable rope protector which allows safe work at height or load lifting over sharp edges.

DESCRIPTION



KEY FEATURES

- stainless steel material
- variable attachment
- ergonomic shape

FEATURES



1 450 g



2 YEARS guarantee

MATERIALS



- 95 % stainless steel
- 5 % rubber

TECHNICAL DATA

